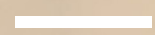




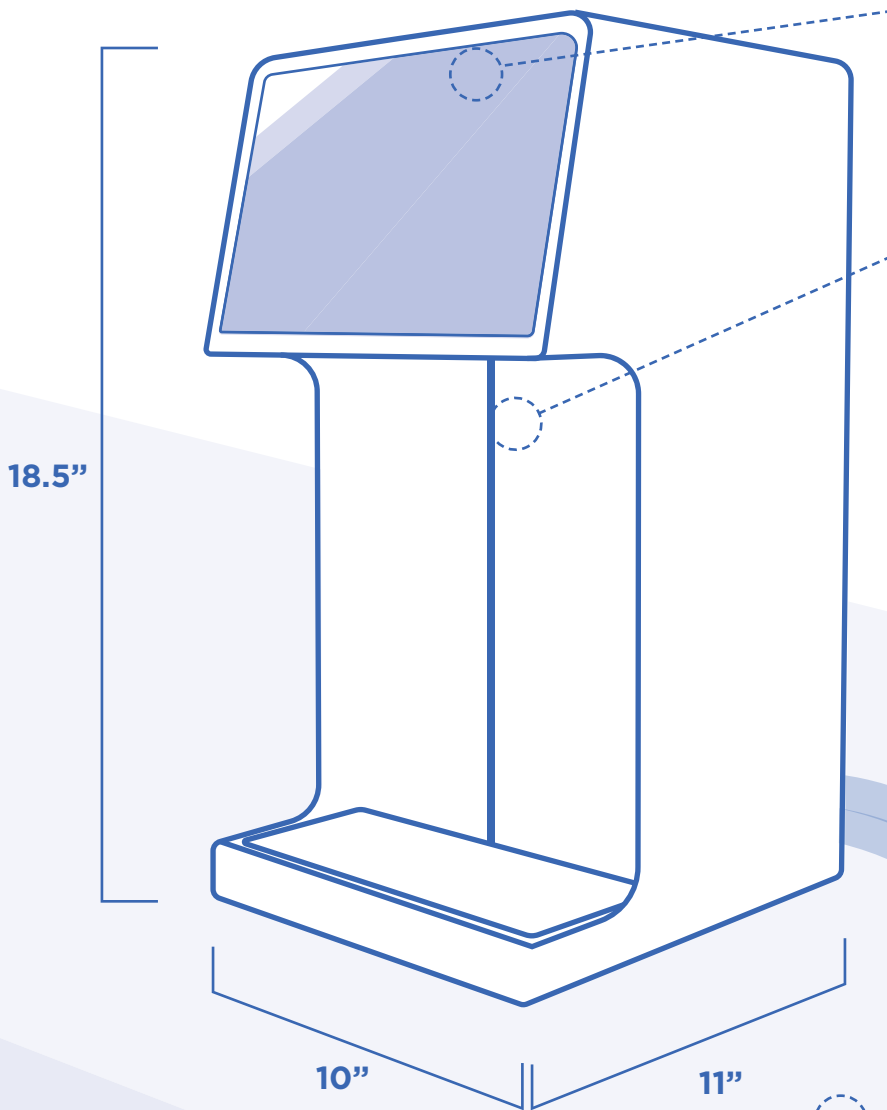
The Countertop Bevi



Requirements



The Countertop Bevi



Touchscreen dispense

This is where a user selects their custom drink: still, sparkling, flavored, or not.

Refill station

Our machine accepts any container. With our single-nozzle design and LED lighting, filling up is easy and clean.

Hole through top of counter

A 4" diameter hole must be drilled through top of the counter to allow routing of beverage tubing lines.

Water/power supply (inside bottom cabinet space)

- Standard 3-prong US 120V electrical outlet, draws less than 9 amps.
- 3/8" outer diameter water line.
- Minimum of 50psi

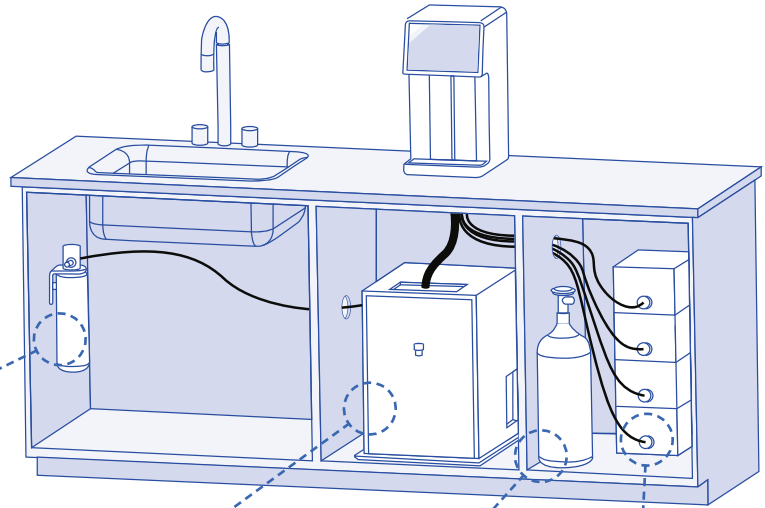
See next page for details. We recommend utilizing at least two cabinets.

Cabinet 1: 28" tall, 16" wide, and 24" deep
Cabinet 2: 28" tall, 18" wide, 24" deep

Components and layout options

Cabinet Layout Option 1: Installing Bevi inside two cabinets (Recommended).

We recommend utilizing at least two cabinets to separate out the chilling components, which can give off heat. ***(Please see tubing drill hole template at the back of this document.)***



Filter (under sink)

15 1/2" height
5" depth
4.5" width

Chiller/ Carbonator

22 1/5" height
16" width
24" depth (with tray)

CO₂ Tank

22 1/5" height
6" width
6" depth

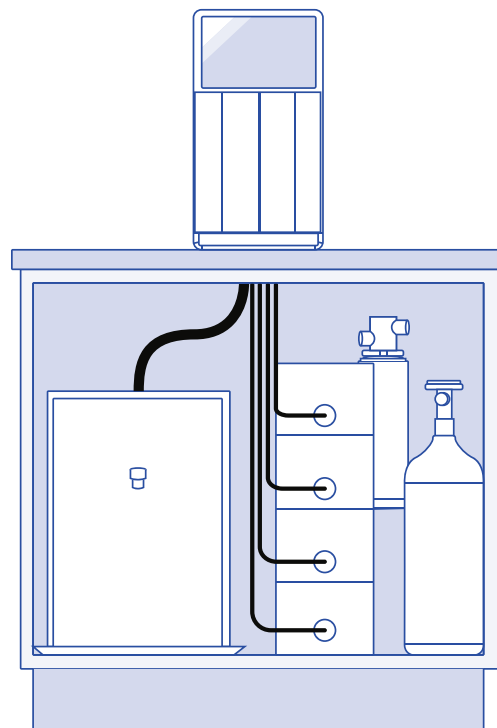
Flavors

22" height
7 3/4" width
9 3/8" depth
(flavor container sizes vary)

Cabinet Layout Option 2: Installing Bevi inside a single cabinet.

If two or more cabinets are not available for component allocation, we recommend a layout similar to the one depicted on the right. A cabinet space of 28" tall, 34" wide, and 24" deep is recommended for a single cabinet setup.

(Please see tubing drill hole template at the back of this document.)



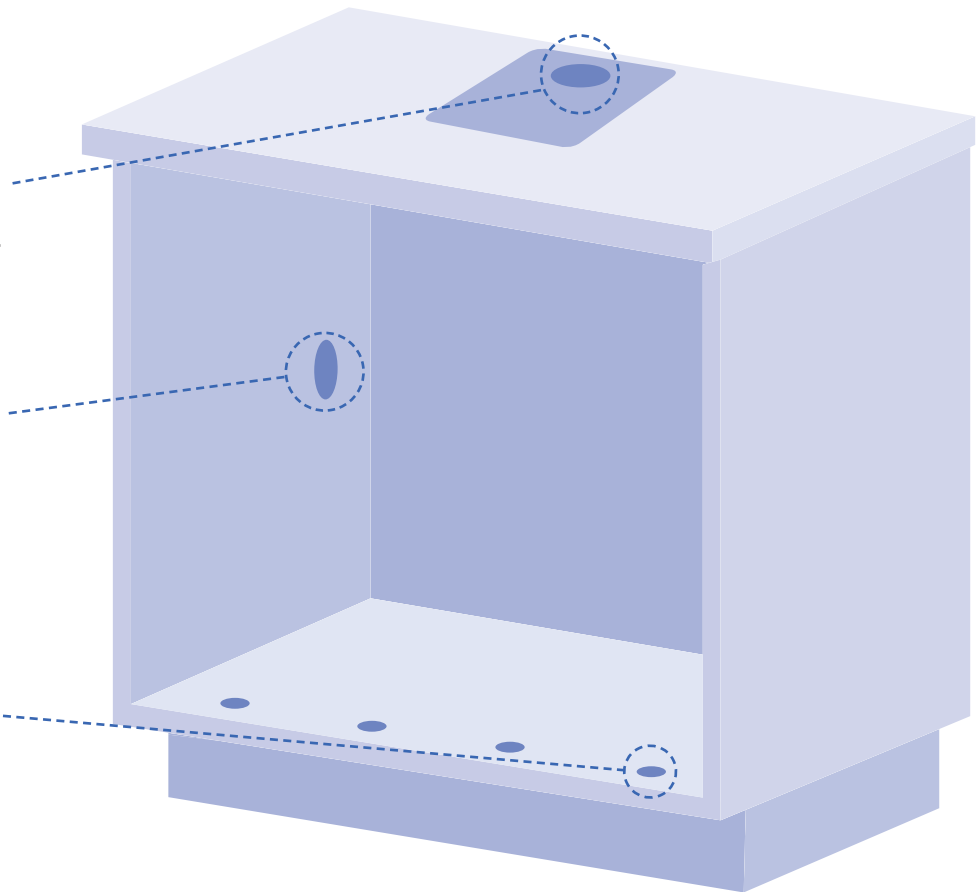
Ventilation

Cutouts for ventilation and routing of tubing

A hole at least **4" in diameter is required** on top of the counter in order to route and connect tubing from the Countertop Bevi unit. This hole also helps with under counter ventilation.

Additional connecting holes may be required if multiple cabinets can be utilized.

Four 2" diameter ventilation cutouts... etc. This is to ensure the drinks are chilled and carbonated correctly.



(Please see tubing drill hole template at the back of this document.)

Tubing drill hole template



A minimum of 5" in distance is required between the back wall and the center of the drilled hole.

